

# JWS-420

4" Two-Way Wall-Mount Speaker  
2.5W / 5W / 10W / 20W (100V line selectable)



SPECSHEET

## Key Features:

- 4" two-way wall-mount loudspeaker for commercial audio installations.
- Ideal for background music and voice paging in offices, retail stores, classrooms, and public facilities.
- Power selectable at 2.5 W / 5 W / 10 W / 20 W (100 V line).
- Built-in 70 V / 100 V transformer with 8  $\Omega$  bypass option.
- High-efficiency 4" woofer and 1" tweeter for clear and balanced sound reproduction.
- Durable ABS enclosure with metal grille, finished in black or white.
- Includes a stainless steel wall-mounting bracket for fast and secure installation.



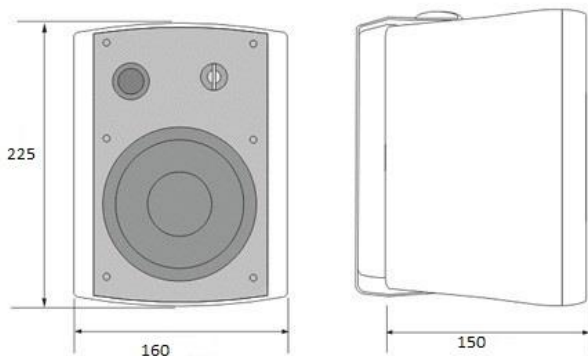
## Description:

The JWS-420 is a compact two-way wall speaker designed for small to medium-sized commercial spaces. Combining efficient power handling with a discreet design, it provides reliable performance for background music and announcements in environments where sound clarity and aesthetics are essential.

## Specifications:

<b>Model</b>	<b>JWS-420 (Black) / JWS-420W (White)</b>
<b>Description</b>	4" Two Way Wall Mount Speaker
<b>Rated Power Output</b>	2.5 W / 5 W / 10 W / 20 W (100 V line selectable)
<b>Line Input</b>	100 V / 70 V line or 8 $\Omega$ low-impedance input
<b>Frequency Response</b>	100 Hz – 20 kHz
<b>SPL(@1W/m)</b>	89 dB SPL
<b>Speaker Units</b>	4" woofer + 1.5" tweeter, two-way design
<b>Dimensions (W x D x H)</b>	160 x 150 x 225 mm
<b>Material</b>	ABS enclosure with metal grille (white and black available)
<b>Mounting</b>	Stainless-steel wall bracket included for fast installation
<b>Net Weight</b>	2.2 kg

## Dimensions and Side View (mm):



## Frequency Response VS SPL:

